

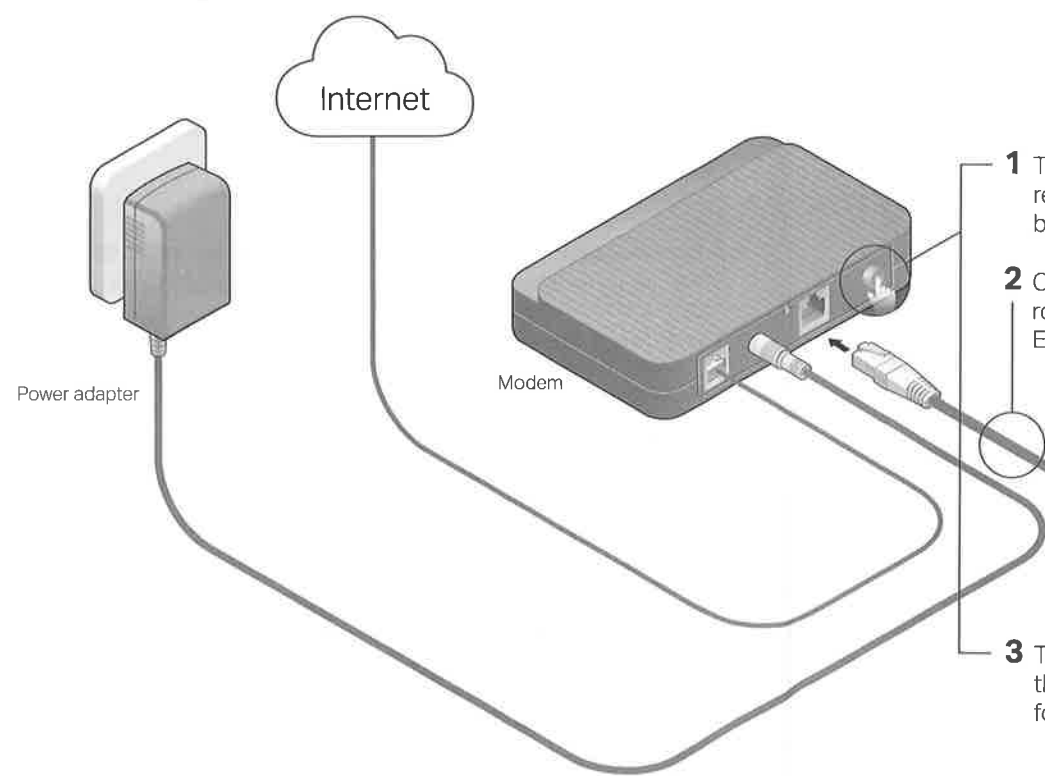
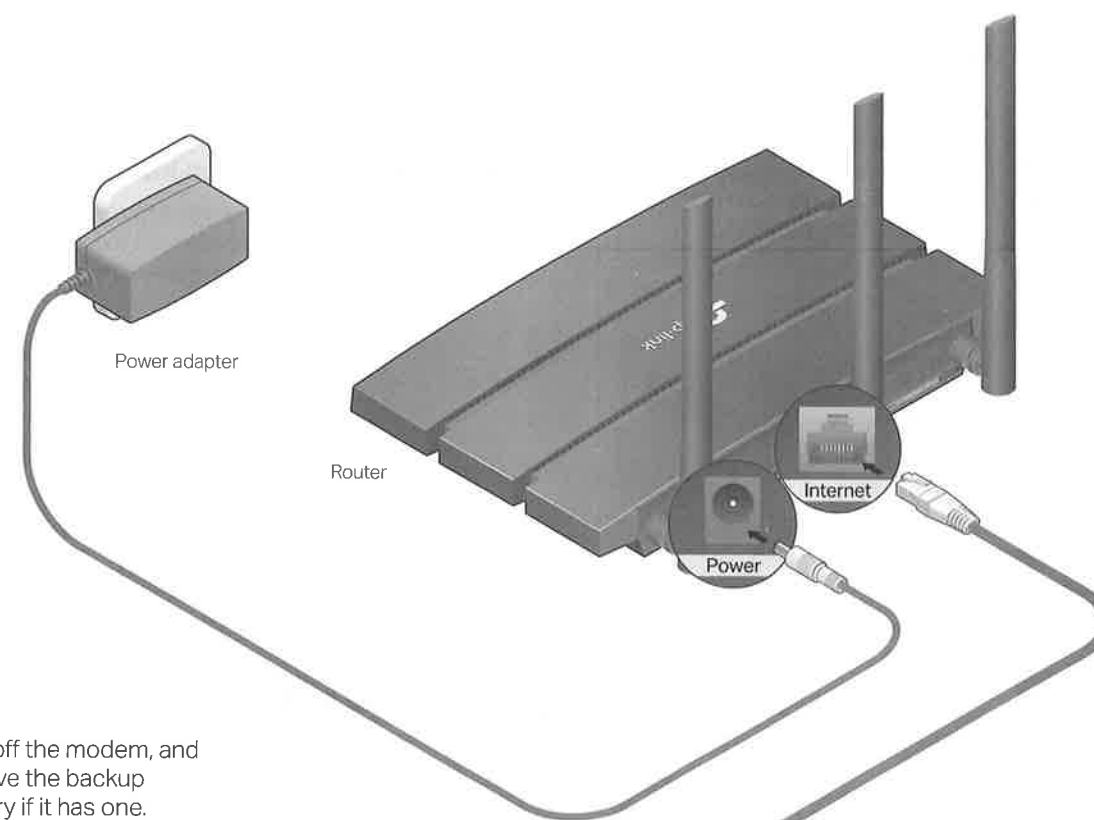
Quick Installation Guide

Wireless Dual Band Router

* Images may differ from actual products.

1 Connect the Hardware

- If your internet is from an Ethernet outlet, connect the router's **Internet port** to the Ethernet outlet, then follow Step 4 and 5.
- If you already have a router and want to configure this new router as an access point to extend your network, refer to the **Access Point Mode** section on the back page.



- 1 Turn off the modem, and remove the backup battery if it has one.
- 2 Connect the modem to the router's Internet port with an Ethernet cable.
- 3 Turn on the modem, and then wait about **2 minutes** for it to restart.

- 4 Connect the power adapter to the router and turn on the router.



- 5 Verify that the following LEDs are solid on to confirm the hardware is connected correctly.



Note: If the 2.4GHz LED and 5GHz LED are off, press and hold the WPS/Wi-Fi button on the back for more than 2 seconds. Both the LEDs should turn solid on.

2 Set Up the Network

Method 1: Via TP-Link Tether App

1. Download the Tether app.



2. Connect your smartphone to the router.



The default wireless network names (SSIDs) and password are printed on the label at the bottom of the router.

3. Connect the router to the internet.



- Launch the Tether app. Select your model from the local device list.
- Create a password to log in.
- Follow the step-by-step instructions to set up the internet connection and register for the TP-Link Cloud service.

😊 Enjoy the internet !

Method 2: Via a Web Browser

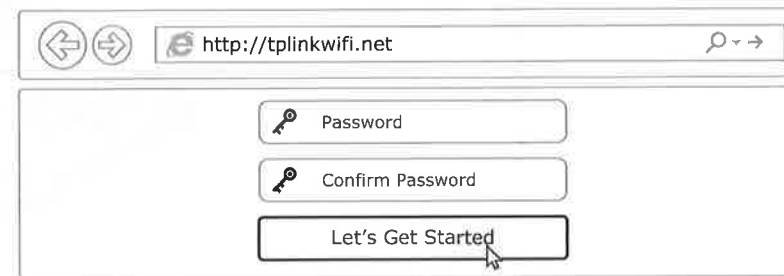
1. Connect your device to the router (wired or wireless).

- Wired**
Turn off the Wi-Fi on your computer and connect to the router using an Ethernet cable.
- Wireless**
 - Find the SSID and wireless password printed on the label of the router.
 - Click the network icon of your computer or go to Wi-Fi settings of your smart device, and then select the SSID to join the network.

2. Connect the router to the internet.

- Launch a web browser, and enter <http://tplinkwifi.net> or <http://192.168.0.1> in the address bar. Create a password to log in.

Note: If the login window does not appear, please refer to Q1 of Need Help? in this guide.

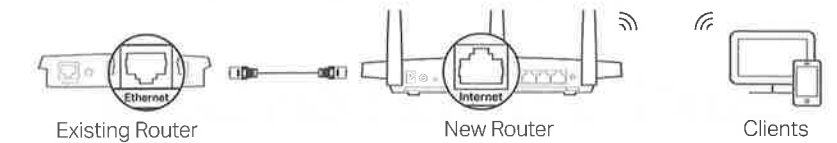


- Follow the step-by-step instructions to set up the internet connection and register for the TP-Link Cloud service.

😊 Enjoy the internet !

Access Point Mode

If you already have a router, you can switch this new router to Access Point mode to extend your existing network. Follow the steps below.



- Power on the router.
- Connect the router's **Internet port** to your existing router's Ethernet port via an Ethernet cable as shown above.
- Connect a computer to the router via an Ethernet cable or wirelessly by using the SSID (network name) and **Wireless Password** printed on the label at the bottom of the router.
- Launch a web browser, and enter <http://tplinkwifi.net> in the address bar. Create a password to log in.
- Go to **Advanced > Operation Mode**, select **Access Point** and click **Save**.
- Wait for the router to reboot, then log in and follow the **Quick Setup** to complete the setup.

😊 Enjoy the internet !

Safety Information

- Keep the device away from water, fire, humidity or hot environments.
- Do not attempt to disassemble, repair, or modify the device.
- Do not use damaged charger or USB cable to charge the device.
- Do not use any other chargers than those recommended.
- Do not use the device where wireless devices are not allowed.
- Adapter shall be installed near the equipment and shall be easily accessible.

Change the Router's Settings

After setup, you can change the router's settings via the intuitive Tether app, or via a web browser as shown below.

- Connect your device to the router via an Ethernet cable or wirelessly.
- Launch a web browser, enter <http://tplinkwifi.net> in the address bar, and log in.
Note: If the login window does not appear, please refer to Q1 of Need Help? in this guide.

3. Change the router's settings as needed.

To change:	Go to:
Wireless network name and password	Basic > Wireless
Login password of the web management page	Basic > TP-Link Cloud (if you log in via TP-Link ID)
	Advanced > System Tools > Administration (if you log in via router's password)

Need Help?

Q1. What should I do if I cannot access the web management page?

- If the computer is set to a static IP address, change its settings to obtain an IP address automatically.
- Verify that <http://tplinkwifi.net> is correctly entered in the web browser. Alternatively, enter <http://192.168.0.1> or <http://192.168.1.1> in the web browser and press Enter.
- Use another web browser and try again.
- Reboot your router and try again.
- Disable and enable the network adapter being used.

Q2. What should I do if I cannot access the internet?

- Check if the internet is working normally by connecting a computer directly to the modem using an Ethernet cable. If it is not, contact your internet service provider.
- Log in to the web management page of the router, and go to the **Basic > Network Map** page to check whether the internet IP address is valid or not. If it is not, check the hardware connection or contact your internet service provider.
- Reboot your router and try again.
- For cable modem users, log in to the web management page of the router. Go to **Advanced > Network > Internet > MAC Clone**, click **Use Current Computer MAC Address** and click **Save**. Then reboot both the modem and the router.

Q3. How do I restore the router to its factory default settings?

- With the router powered on, use a pin to press and hold the **Reset** button on the back until the Power LED blinks.
- Log in to the web management page of the router, go to **Advanced > System Tools > Backup & Restore**, and click **Factory Restore**. The router will restore and reboot automatically.

Q4. What should I do if I forget my web management page password?

- If you are using a TP-Link ID to log in, click **Forgot password** on the login page and then follow the instructions to reset it.
- Alternatively, press and hold the **Reset** button on the back of the router until the Power LED blinks to reset it, then visit <http://tplinkwifi.net> to create a new login password.

Q5. What should I do if I forget my wireless network password?

- If you have not changed the default wireless password, it can be found on the label at the bottom of the router.
- Connect a computer directly to the router using an Ethernet cable. Log in to the router's web management page at <http://tplinkwifi.net>, and go to **Basic > Wireless** to retrieve or reset your wireless password.

🔗 For technical support, the user guide and other information, please visit <https://www.tp-link.com/support>, or simply scan the QR code.

